

Nomad

SERVICE BULLETIN

LANDING GEAR NOSE GEAR SHIMMY DAMPER ATTACHMENT BRACKETS (MOD N727)

1. PLANNING INFORMATION

A. Effectivity

(1) Aircraft Affected

All Nomad N22 Series and N24 Series aircraft whose Log Books do not already record compliance with this Service Bulletin.

(2) Spares Affected

None.

B. Reason

Cases have been reported whereby the heads of the bolts attaching the shimmy damper mounting bracket to the nose oleo casing have made contact with the shimmy damper body, resulting in restriction of nose wheel steering and damage to the shimmy damper body.

This situation is a result of adverse tolerance build up in assembly. The addition of packers under attachment brackets on the nose wheel cradle eliminates the possibility of this occurrence.

C. Description

Packers are fitted between the shimmy damper mounting brackets and the nose oleo cradle. Longer bolts are fitted (Ref Fig 1).

D. Compliance

Compliance with this Service Bulletin is strongly recommended.

E. Approval

This modification is approved pursuant to CAR35 and conforms with type certification requirements.

F. Manpower

Four manhours.

G. Material Price and Availability

Not applicable (Ref para 3.).

H. Tooling Price and Availability

None required.

Page No	1	2	3	4	5
Rev No	1	1	1	1	1

Nomad

SERVICE BULLETIN

I. **Weight and Balance**

None.

J. **References**

Maintenance Manual Chap 32-50-11

Illustrated Parts Catalogue Chap 32-20-01

Defect Report, ASTA Drawing N-03-01

K. **Publications Affected**

Maintenance Manual Chap 32-50-11

Illustrated Parts Manual Chap 32-30-01 Fig 2

2. **ACCOMPUSHMENT INSTRUCTIONS**

- A. Remove shimmy damper and operating mechanism (Ref MM Chap 32-50-11, Maintenance Practices)
- B. Remove the four damper mounting brackets (Ref IPC Chap 32-20-01 Fig 2, items 12, 17, 22 and 26).
- C. Manufacture four packers according to Figure 2.
- D. Wet assemble, using epoxy primer or similar, the four damper mounting brackets to their correct locations, with the appropriate packer under each bracket, and longer bolts as shown in Figure 1. Torque tighten the 3116 in bolts to 20 to 25 lb in and the 1/4 In bolts to 50 to 70 lb in.
- E. Inspect the shimmy damper body for damage caused by contact with the heads of the bolts attaching the shimmy damper operating bracket on the nose oleo (Ref IPC Chap 32-00-01 Fig 3 Item 48). Any damage should be blended out and treated with a conversion coating (eg ALODINE 1200) and a suitable metal primer and paint.
- F. Carry out any necessary servicing of the shimmy damper and mechanism.
- G. Refit the shimmy damper and mechanism. Check for clearance between the shimmy damper body and the heads of bolts attaching the shimmy damper mounting bracket to the nose oleo casing as the nosewheel is turned through the full available steering angle (Ref MM Chap 32-50-11 Maintenance Practices).

Nomad

SERVICE BULLETIN

3. MATERIAL INFORMATION

The following Items represent one aircraft set of parts.

New Part No	Qty	Description	Old Part No	Instruction/Disposition
Items to be Locally Manufactured				
NOTE				
All packers made from A1 alloy sheet, 0.100 in QQ-A-250/5 T3 or equivalent.				
NMD-32-19-1	1	Packer		Item 1, Fig 1
NMD-32-19-2	1	Packer		Item 2, Fig 1
NMD-32-19-3	1	Packer		Item 3, Fig 1
NMD-32-19-4	1	Packer		Item 4, Fig 1
Items to be obtained from operator's stock or local sources				
NAS6604-38	3	Bolt, close tolerance		Item 5, Fig 1
Alt NAS1304-38				
NAS6604-24	1	Bolt, close tolerance		Item 6, Fig 1
Alt NAS1304-24				
NAS6603-38	3	Bolt, close tolerance		Item 7, Fig 1
Alt NAS1303-38				
NAS6604-24	1	Bolt, close tolerance		Item 8, Fig 1
Alt NAS1303-24				
MS21044N4	4	Nut, self locking		Item 9, Fig 1
MS21044N3	4	Nut, self locking		Item 10, Fig 1
AN960-416L	A/R	Washer		Item 11
AN960KD416	1	Washer		Item 12
AN960KD1OL	A/R	Washer		Item 13
AN960KD10	1	Washer		Item 14
Alodine 1200 or equivalent	A/R	Conversion coating		

4. RECORDING ACTION

Record compliance with Service Bulletin NMD-32-1 9 in the Airframe Log Book.

Nomad SERVICE BULLETIN

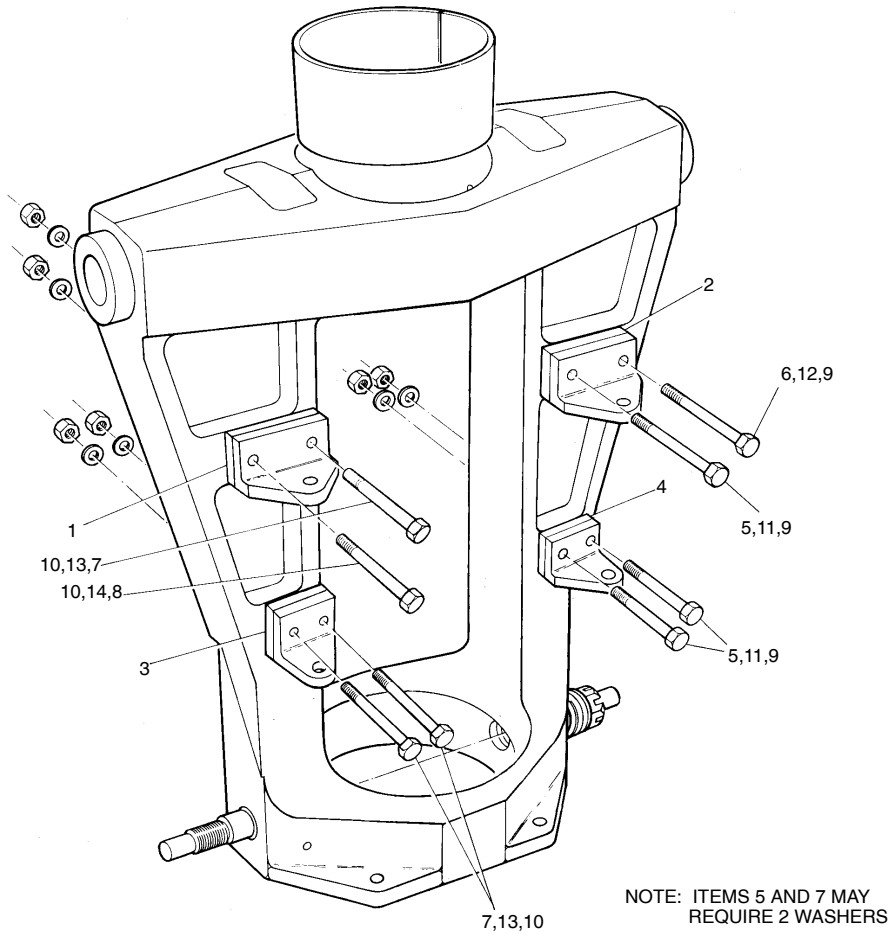
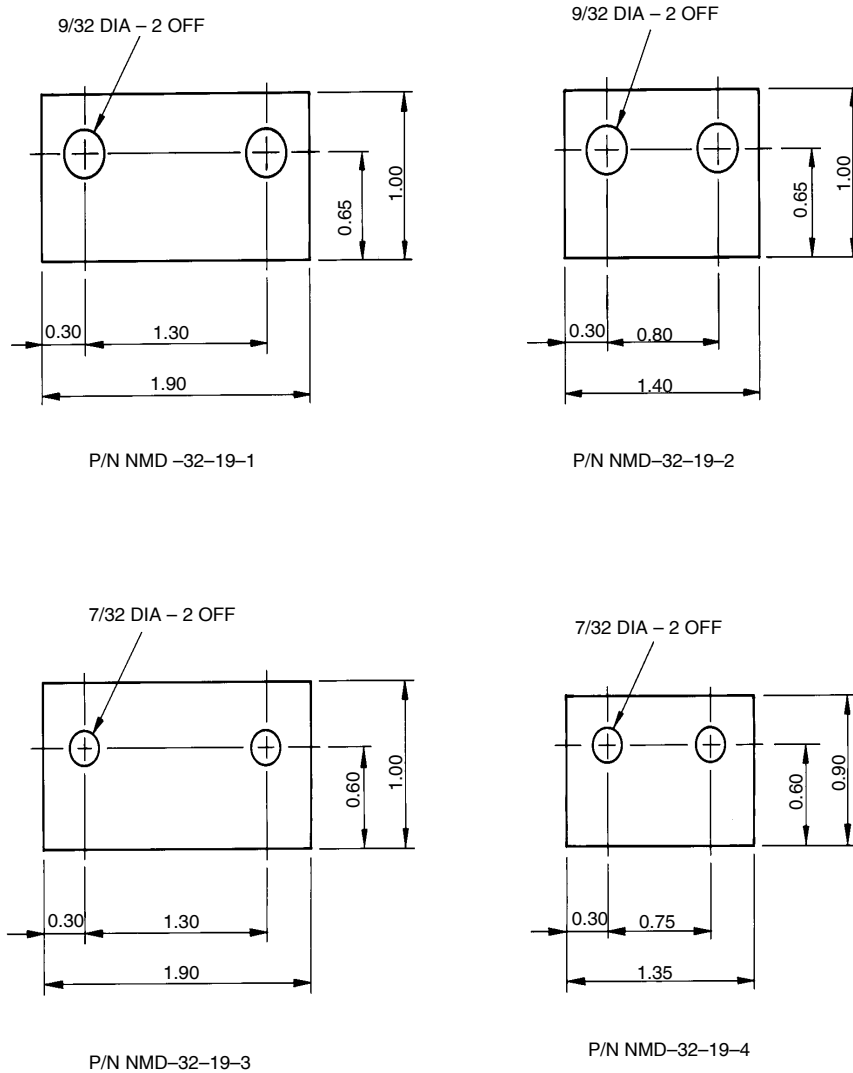


Figure 1 Equipment and Furnishings Centre Fuselage

Nomad

SERVICE BULLETIN



MAKE FROM AL. ALLOY SHEET - 0.10 QQ-A-250/5 T3
ALL DIMENSIONS IN INCHES

Figure 2 Equipment and Furnishings Centre Fuselage