



A Mahindra Aerospace Company

PO Box 881, Morwell, Victoria 3840, Australia

Ph + 61 (0) 3 5172 1200

Fax + 61 (0) 3 5172 1201

www.gippsaero.com

SB-GA8-2013-104

Issue 2

OPTIONAL

Service Bulletin

Subject:

Installation of additional components to support the KFC 225 Automatic Flight Control System installation

Applicability:

All GA8 & GA8-TC- 320 serial numbers

Amendments:

Issue 1: Nil (initial issue)

Issue 2: Figures amended and added for clarity

Background:

The Honeywell KFC 225 Automatic Flight Control System installation into the GA8 and GA8-TC-320 models is approved in accordance with FAA approved STC number SA01418WI-D.

This Service Bulletin authorises the installation of additional items to support the KFC 225 Automatic Flight Control System installation.

Compliance:

For applicable aircraft this optional Service Bulletin may be incorporated at the owner's discretion.

Weight and Balance:

Negligible effect on weight and balance

Approval:

This modification has been approved pursuant to CASR(1998).

Parts:

Item	Part Number	Description	Qty
1	GA8-950094-027	Cable Guide	1
2	GA8-950094-031	Fairlead Block	1
3	MS20426AD-4-6	Rivet	2
4	AN525-8R10	Screw	4
5	NAS1149FN832P	Washer	8
6	M521044N08	Nyloc Nut	4

Parts Availability:

New parts can be obtained directly from GippsAero.

Tel.: +61 03 5172 1200

Fax.: +61 03 5172 1201

Email: spares@gippsaero.com

Labour:

Approximately 1 hour should be allocated to the incorporation of this Service Bulletin.

Warranty:

Not applicable.

Installation:

Installation of the Honeywell KFC 225 Automatic Flight Control System is described in the Honeywell Installation and Maintenance Manual 006-20038-0000, Revision E. Departure from these instructions and parts listed is required to improve interaction with the aircraft. All parts required are listed in the manual with exceptions as noted in this Service Bulletin.

Cable Guide

1. Ream the 0.750" circular cut-out on the cable guide (GA8-950094-027) (Figure 1) such that the hole is of 1.00" diameter. Deburr the cut-out as required.

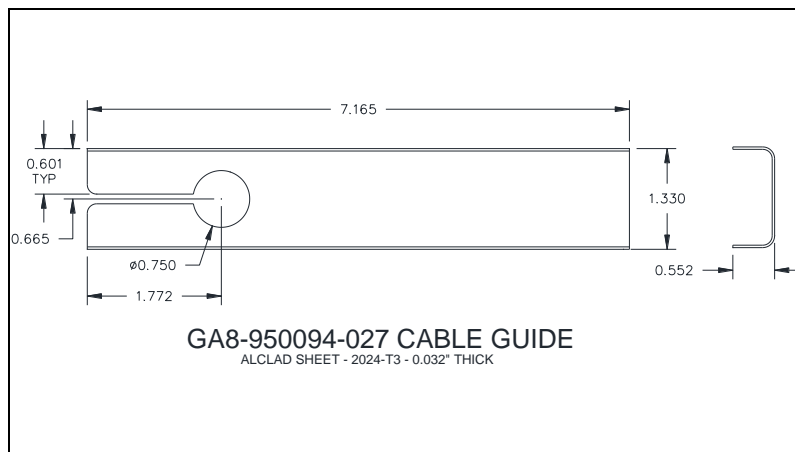


Figure 1

2. Clamp the fairlead block (GA8-950094-031), to the cable guide such that the cut-out in the fairlead is centrally located around the cut-out in the cable guide.
3. Using the fairlead as a template, back drill fastener holes onto the cable guide.
4. Fasten the fairlead to the cable guide at the centre of the cable guide using two AN525-8R10 screws, two ea NAS1149FN832P washers and one ea MS21044N08 nyloc nut.
5. Pass the control cable through the slot on the cable guide / fairlead assembly and install it onto the two 047-11295-0003 brackets in the tail-cone such that the fairlead will provide enough clearance between the cable passing through and surrounding structure. Use two MS20426AD-4-6 rivets through the fairlead and cable guide on one side and two AN525-8R10 screws, two ea NAS1149FN832P washers and one ea MS21044N08 nyloc nut on the other. Refer to Figure 2.

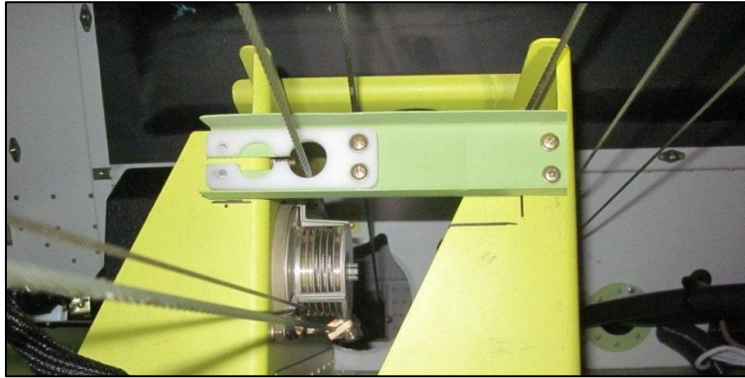


Figure 2

6. Carry out a check of control column and rudder pedal movement ensuring that installation of the cable guide does not hinder smooth pilot input.

Documentation:

Update aircraft log book to reflect incorporation of this Service Bulletin.

Continuing Airworthiness:

The fairlead block is to be inspected at each 100 hourly periodic inspection. Ensure that there is at least 0.050" of acetal around the cable guide cut-out. If the material is less than 0.050", the fairlead block is to be replaced.

Compliance Notice:

Complete the Document Compliance Notice and return to GippsAero by mail, fax or email.

DOCUMENT COMPLIANCE NOTICE



A Mahindra Aerospace Company

Document:

SB-GA8-2013-104

Issue 2

Aircraft Serial Number: GA8-_____

Service Bulletin SB-GA8-2013-104 Issue 2 has been incorporated in the above aircraft.

Date: _____

Signed

Print Name: _____

Please post fax or email this compliance notice to:

GippsAero
Attn: Technical Services
P. O. Box 881
Morwell Victoria 3840
Australia
Fax.: +61 03 5172 1201
Email: techpubs@gippsaero.com